

OUTPUT

To room 2-6kW
(6,800 - 20,500 Btu/hr)

ROOM CAPACITY

Approx. 85m³
(room size 5m x 6m x 2.7m)

FLUE OUTLET

Top or Rear 150mm (6") dia.

MAX LOG LENGTH

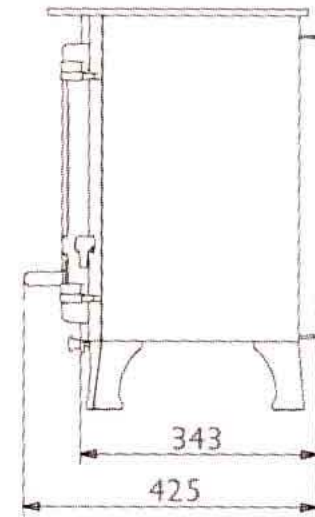
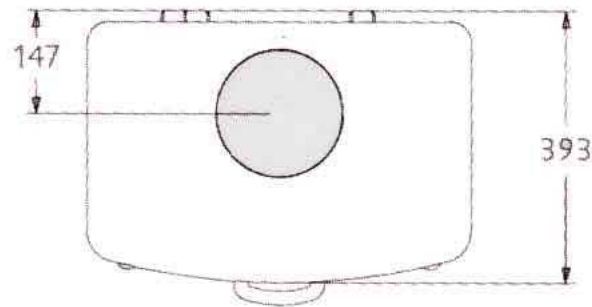
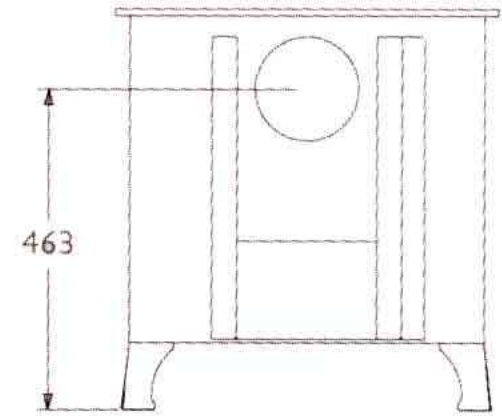
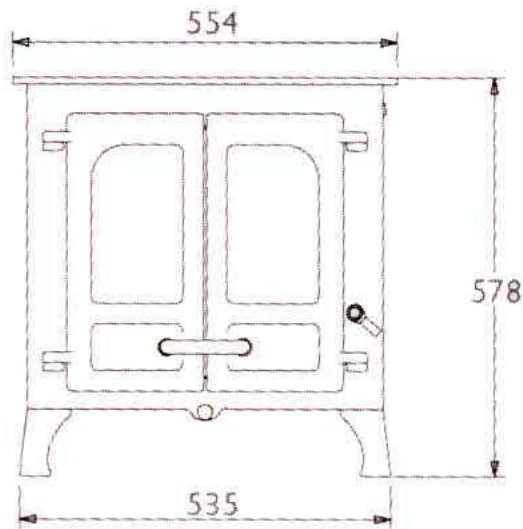
370mm (14½")

WEIGHT

130kg

COLOURS

Black, Green, Blue or Brown



Dimensions shown in mm